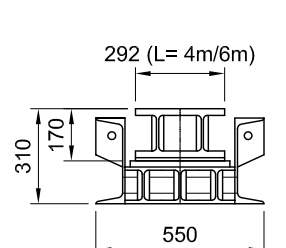
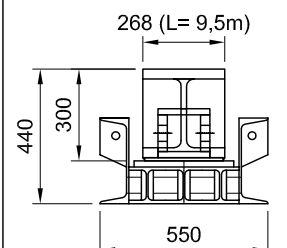


Capacity: 800 T (two tracks - 2 skidbeams)	
Front view skid track + skid beam	Front view skid track + skid beam
 <p>292 (L= 4m/6m)</p> <p>310</p> <p>170</p> <p>550</p>	 <p>268 (L= 9,5m)</p> <p>440</p> <p>300</p> <p>550</p>